

General Information

All stainless steel worksurfaces and integral sink bowls are 16 gauge Type 304 stainless steel with a #4 satin finish.

The maximum depth of flat tops (Style A) is 46 inches. Tops with splashes (Styles B – M) can be a maximum depth of 42 inches. The maximum length for all styles of tops is 99 inches.

All back and end splashes are 4 inches in height. Note: End splashes are not finished ends.

Tops having an integral sink bowl have a beaded edge. Each sink bowl is 20" wide, 17" front to back and 7" deep. The distance between double bowls is 1-3/4". Faucet holes (three) are 8" on center on single bowl tops and centered between bowls on double bowl tops.

How to Order

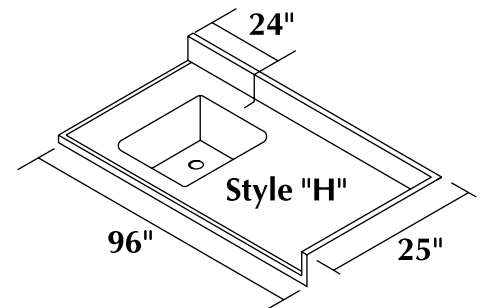
The style and dimensional requirements are designated by completing a fourteen (14) space code designation for each top as follows:

1. The first space is the letter "S" indicating that the top will be stainless steel. The second space is the style designation (A – M) for the top being ordered. Select the style from the configuration shown on page J-2.
2. The next four spaces are used to specify the desired length of the top to the nearest 100th of an inch (00.00"). Enter the total overall length measurement including end splashes (if applicable).
3. The next four spaces are used to specify the desired depth, including the back splash, of the top to the nearest 100th of an inch (00.00"). Enter the total overall depth measurement including back splashes (if applicable).
4. The last four spaces are used to provide the centerline measurement for location of sink bowl(s) on Styles F – M to the nearest 100th of an inch (00.00").

Example

S □ □ □ □ □ □ □ □ □ □ □ □ □

Style	Length	Depth	Corner Edge
A-M	00.00"	00.00"	to center of
	(inches)	(inches)	sink(s)
			Styles F-M



SH960025002400

S (H) 96.00" 25.00" 24.00"

Stainless Steel Work Surfaces

